

REV LTR	DESCRIPTION	DATE	APPVD.
-	Orig. Release	6/22/09	RBT
A	Corrected P/N on Pages 1 and 2	5/08/14	RBT
B	Revised per ECN 2015-1	9/12/15	RBT
C	Revised per ECN 2016-1	9/18/16	RBT

FTL3 Series
LVDS/LVPECL output, OSCILLATORS
FOR SPACE APPLICATIONS
0.75MHz to 1400MHz
(5 x 7 mm, SMD, 3.3 V)

(Refer to Page 5 for Models with Reduced Screening & QCI)

1. SCOPE: FTL3 series , LVDS/LVPECL output, high reliability hybrid microcircuit crystal oscillators are designed, produced and tested by Frequency Technology, Inc. as MIL-PRF-55310, Class "S" equivalent devices for use in advanced military, avionics and space applications. These devices are of hybrid microcircuit technology conforming to MIL-PRF-55310, Type 1, Class 2 oscillators.

2. APPLICABLE DOCUMENTS:

MIL-PRF-55310E	Oscillator, Crystal Controlled, General Specifications for
MIL-PRF-38534G	Hybrid Microcircuits, General Specifications for
MIL-STD-883E	Test Methods and Procedures for Microelectronics

3. REQUIREMENTS:

3.1 General: The individual item requirements shall be as specified herein.

3.2 Package: Ceramic, 90% Min. AL₂O₃. Thermal Resistance, θ_{JC} : 50 °C / Watt.

3.2.1 Termination Finish: 1.3 μ m minimum gold plate over 2.0 μ m minimum nickel plate. Hot Solder tinning with Sn60/Pb40 solder per MIL-PRF-55310 is optional at an additional cost.

3.2.2 Weight: 0.30 Gms Max.

3.2.3 Reflow Soldering: Reflow soldering at 260 °C for 10 seconds shall not degrade the performance.

3.3 Hermeticity: Resistance welded, hermetically sealed, leak rate of 1(10)⁻⁸ atm-cc/s Max.

3.4. Marking: As a minimum, the parts shall be marked with Fre-techP/N and date code

3.5 Absolute Maximum Ratings: Unless otherwise specified, absolute maximum ratings shall be as follows:

Supply Voltage	-0.5 to +5.0 VDC
Operating Free-Air Temperature Range	-55°C to +125°C
Storage Temperature	-65°C to +125°C

3.6 Electrical Characteristics: See Table I

3.6.1 Total Dose Radiation: Hybrid Microcircuit Crystal Oscillators shall be capable of meeting the electrical characteristics of Para. 3.6 after being exposed to total ionizing dose radiation of 100 krads as per MIL-STD-883, method 1019.

3.7 Hybrid Elements:

3.7.1 Quartz Crystals: High grade cultured quartz crystal shall be used. As an option, Fre-tech will use premium Q swept quartz crystal at an additional charge, refer to part numbering example in paragraph 6 to specify swept quartz crystal. Crystal element evaluation shall be in accordance with MIL-PRF-55310.

3.7.2 Crystal Mounting: Crystal element shall be mounted at 4 points in such a manner as to provide adequate ruggedness and performance under extreme environments specified herein.

- 3.7.3 Passive Elements: Established Reliability (ER) QPL components, failure level R minimum shall be used or element lot evaluation shall be as per MIL-PRF-55310, class S, or MIL-PRF-38534, Appendix C, Class K as applicable.
- 3.7.4 Microcircuit die shall be from lots that have passed the element evaluation per MIL-PRF-55310, Appendix B, Level S, except testing per Subgroup 5 is omitted. Subgroup 5 testing is circuit configuration dependent, therefore, it is more effectively performed at the oscillator level as explained in Paragraph 3.7.4 herein.
- 3.7.5 For Output Frequency up to 90 MHz, microcircuit die used in the oscillator shall be from NSC/FC 54ACT family and must be from wafer lot that has been successfully tested in the oscillator for ionizing radiation of up to 100 krad. Fre-tech has also performed SET & SEL testing on the microcircuit die. Test reports are available on request. For output frequencies above 90 MHz, the microcircuit die shall be from 0,8 μm BiCMOS Si family and must be from wafer lots that have been successfully tested in the oscillator for ionizing radiation of up to 100Krad and is known to be Single Event Latch-up immune for LET of up to 95 Mev-cm²/mg.
- 3.7.6 Workmanship, Rework and Process controls shall be in accordance with the requirements of MIL-PRF-55310.
- 3.7.7 Lot Traceability: Production lot for these oscillators shall be homogenous. Each element used in the production lot shall be traceable to a single lot. Swept quartz shall be traceable to the quartz bar, and its applicable processing details.

4. Quality Assurance Provisions: The quality assurance provisions shall be per MIL-PRF-55310, except as specified herein.

4.1 100% Screening: The 100% screening shall be performed as per Table II. PDA requirements for nondestructive bond pull and burn-in shall be as specified below.

4.2 PDA for Nondestruct Bond Pull: Unless otherwise specified, PDA shall be 2% of total number of wires or 1 wire whichever is greater.

4.3 PDA for Burn-in: Unless otherwise specified, PDA for burn-in shall be 2% or 1 oscillator whichever is greater and shall be applicable to +23 °C and/or +25 °C static tests only. In addition Delta Calculation shall be performed after Burn-in and shall count for PDA. All measured values for Delta Calculation shall be recorded. Parts that exceed the specified delta limits shall be rejected and be counted for PDA. Delta Calculation shall be performed at 3.3 VDC for the following parameters:

Input Current	10% change Maximum
Output High Level	10% change Maximum
Output Low Level	0.1V change Maximum

4.4 Group A inspection shall be in accordance with MIL-PRF-55310 for product level S.

4.5 Group B inspection (30 day aging) shall be in accordance with MIL-PRF-55310 for product level S. In order to expedite delivery, by customer request, the aging test can be ended after 15 days if the amount of frequency aging is less than 50% of the 30 day specification limit.

4.6 Oscillators shall be capable of meeting group C inspection per MIL-PRF-55310. Generic group C inspection data on similar parts may be used to satisfy this requirement. When specified by the Customer, Fre-tech will perform Group C testing at an additional charge.

4.7 Inspection and Test Data: Unless otherwise specified in the purchase order, the following Inspection and test data documentation shall be supplied with the parts.

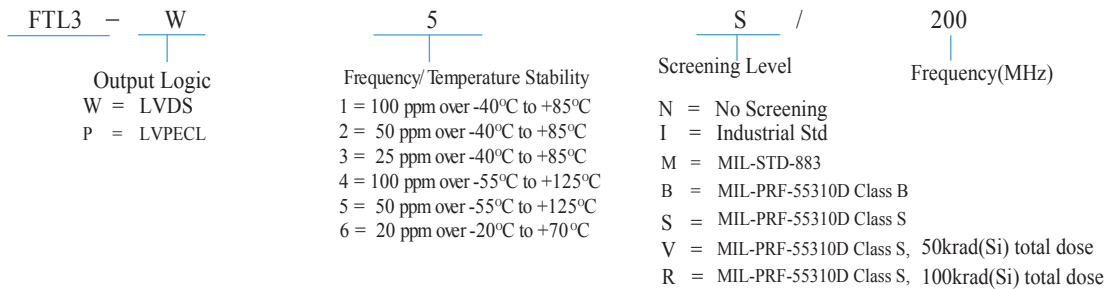
Certificate of Conformance
Summary of Class "S" screening Test Results
PDA Calculations for Non-Destruct Bond Pull and Burn-in
Summary of Elements Lot Traceability
Electrical Tests before and after Burn-in
Group A Inspection Summary
Group B (30 day Aging) Data
Radiographic Inspection Certificate

4.8 The following test and inspection options are available at customer request.

Customer Source Inspection for Pre-Cap and Final
Group C Inspection per MIL-PRF-55310 on 4 or 8 units
DPA (Destructive Physical Analysis)
Life Test per MIL-STD-883, Method 1005, 1000 Hrs. at +125 °C
MIL-PRF-38534, Group B Inspection
MIL-PRF-38534, Group C Inspection

5.0 Preservation, Packaging and Packing: The oscillators shall be clean, dry and packaged in a manner to provide adequate protection against electrostatic discharge, corrosion, deterioration and physical damage during shipment.

6.0 Part Numbering Example:



* Overall Frequency Accuracy includes effects of Operating Temperature, Supply Voltage, Load variations and 10 year aging

P/N Example: FTL3-W5V- 200.000 MHz = 200.000 MHz, Class "V" Oscillator, ± 50 PPM Overall Frequency Accuracy over an operating temperature range of -55 °C to +125 °C, 3.3V, LVDS output

NOTE: Besides **Class R and Class V**, the following additional models are available for applications that can accommodate reduced level of screening and quality conformance inspection:

Class S : **Class S** is same as **Class R and Class V** except as follows:

Group A inspection is per MIL-PRF-55310, Class B

Group B inspection (30 day aging) per MIL-PRF-55310 is not applicable

Class B : **Class B** uses the same design and elements as **Class S** except as follows:

100% screening is as per Table III herein

PDA for Burn-in is 10% or 1 unit whichever is greater

Delta measurements of paragraph 4.3 are not applicable

Group A inspection is as per MIL-PRF-55310, Class B

Group B inspection (30 day aging) per MIL-PRF-55310 is not applicable

Class M : **Class M** is same as **Class B** except as follows:

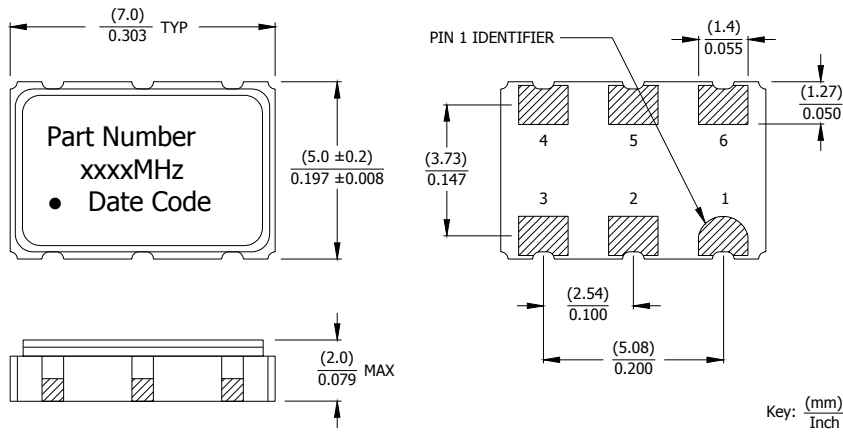
Active and Passive Elements are as per MIL-PRF-55310, Class B. Microcircuit die

is similar to the one used in Model FTH4XXB but is not from radiation tested wafer lot.

Class I/N : **Class I and Class N** is a form, fit and function equivalent prototype of **Class R to Class M**

Prototypes may use and industrial and commercial grade elements and are not screened. Quality Conformance inspection is not applicable.

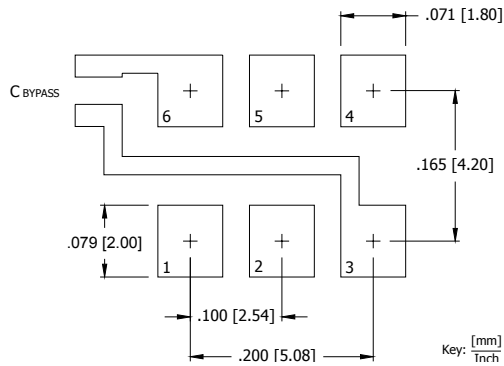
PACKAGE DRAWING



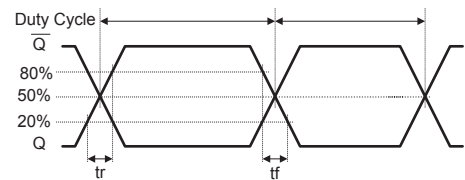
Pin connections

Pin #	Connection
1	N/C
2	N/C
3	Case, GND
4	Output
5	Output
6	Supply Voltage

SUGGESTED SOLDER PAD LAYOUT

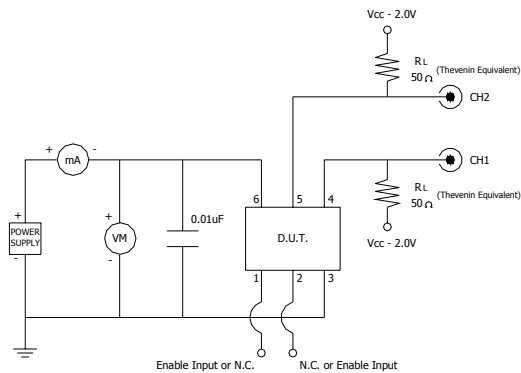


Output Waveform

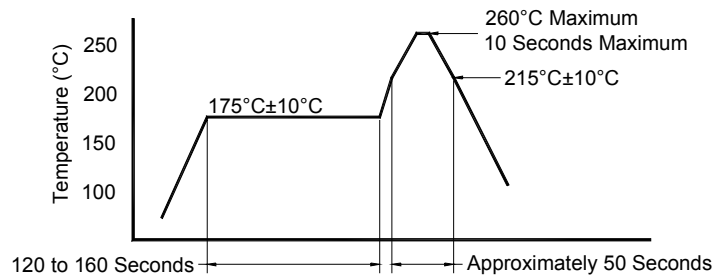
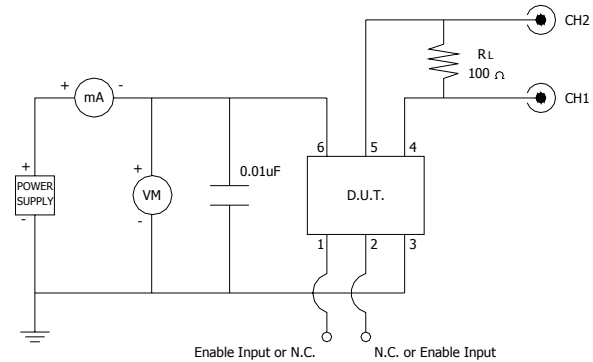


Test Circuit and Waveform

TEST CIRCUIT, LVPECL LOAD



TEST CIRCUIT, LVDS LOAD



Allowed rate of temperature change
Maximum 4°C per second

Reflow Cycle (typical for lead free processing)

TABLE I – Electrical Characteristics

	PARAMETER	SYMBOL	CONDITIONS	MIN	TYP	MAX	UNIT	
Absolute Maximums	Maximum Supply Voltage	V _{CC}	-	-0.5	-	5.0	V	
	Storage Temperature	T _{STG}	-	-55	-	125	°C	
	Frequency Range LVPECL and LVDS	f ₀	-	0.75	-	1400	MHz	
	Frequency Stability	Δf/f ₀	-	-	-	20, 25, 50 or 100	± ppm	
	Operating Temperature Commercial Industrial Military	T _A	-	-20 -40 -55	25	70 85 125	°C	
Electrical and Waveform Parameters	Supply Voltage(Optional 1.8V)	V _{CC}	± 5 %	3.14	3.3	3.47	V	
	Supply Current LVPECL LVDS	I _{CC}	Maximum Load	-	-	130 110	mA	
	Start Up Time	T _S	Application of V _{CC}	-	3	10	ms	
	Phase Jitter	t _{jrms}	Bandwidth 12 kHz - 20 MHz	-	-	1	ps RMS	
	Period Jitter	p _{jrms}	-	-	-	5	ps RMS	
	Enable Function		Standby					
	Enable Input Voltage	V _{IH}	Pin 1 or Pin 2 Logic '1', Output Enabled	0.7*V _{CC}	-	-	V	
	Disable Input Voltage	V _{IL}	Pin 1 or Pin 2 Logic '0', Output Disabled	-	-	0.3*V _{CC}		
	Disable Current	I _{IL}	Pin 1 or Pin 2 Logic '1', Output Disabled	-	-	20	uA	
	Enable Time	T _{PLZ}	Pin 1 or Pin 2 Logic '1'	-	-	5	ns	
	LVPECL WAVEFORM							
	Output Load	R _L	-	-	50	-	Ohms	
	Output Duty Cycle	SYM	@ V _{CC} - 1.3V	40	-	60	%	
	Output Voltage Levels							
	Logic '1' Level	V _{OH}	PECL Load	V _{CC} - 1.025V	-	-	V	
	Logic '0' Level	V _{OL}	PECL Load	-	-	V _{CC} - 1.62V		
	Rise and Fall Time							
	f ₀ < 100 MHz	T _R , T _F	@ 20% - 80% Levels	-	0.8	2.5	ns	
	f ₀ > 100 MHz			-	0.5	2.0		
	LVDS WAVEFORM							
Output Load	R _L	Between Outputs	-	100	-	Ohms		
Output Duty Cycle	SYM	@ 1.25V	40	-	60	%		
Differential Output Voltage	V _{OD}	RL = 100 Ohms	247	350	454	mV		
Differential Output Error	-	-	-	-	50	mV		
Offset Voltage	V _{OS}	LVDS Load	1.125	1.25	1.375	V		
Offset Error	-	-	-	-	50	mV		
Output Voltage Levels								
Logic '1' Level	V _{OH}	LVDS Load	-	1.40	1.7	V		
Logic '0' Level	V _{OL}	LVDS Load	0.8	1.1	-			
Rise and Fall Time								
f ₀ < 100 MHz	T _R , T _F	@ 20% - 80% Levels	-	0.8	2.5	ns		
f ₀ > 100 MHz			-	0.5	2.0			

Jitter Specifications

PARAMETER	CONDITIONS	FREQ	MIN	TYP	MAX	UNIT
Period Jitter (RMS)	Sample size > 10,000 cycles	25 MHz		2.0		psec
		155.52 MHz		4.3		
		622.08 MHz		5.0		
Period Jitter (pk-pk)	Sample size > 10,000 cycles	25 MHz		20.0		
		155.52 MHz		35.0		
		622.08 MHz		45.0		
Phase Jitter (RMS)	Integrated 12 kHz to 20 MHz	25 MHz		1.0		
		77.76 MHz		0.5		
		155.52 MHz		0.3		
		622.08 MHz		0.1		

Phase Noise Specifications

PARAMETER	FREQ	10 Hz	100 Hz	1 kHz	10 kHz	100 kHz
Phase Noise, dBc/Hz (typical)	25 MHz	-73	-103	-133	-147	153
	77.76 MHz	-66	-96	-120	-129	-126
	155.52 MHz	-63	-93	-117	-126	-123
	622.08 MHz	-52	-83	-105	-113	-110

Contact Fre-tech Engineering for any other special requirements.

1/ Overall Frequency Accuracy includes calibration tolerance, frequency change due to Operating Temperature, Supply Voltage and Load variations and 10 year aging.

Table II - Class R/V/S , Screening (100%)

Test - Inspection	Test Method – Condition
Nondestructive Bond Pull	MIL-STD-883, Method 2023
Internal Visual	MIL-STD-883, Method 2017, Level S
Stabilization Bake (Prior to Seal) <u>1/</u>	MIL-STD-883, Method 1008, Condition C (+150 °C), 48 hours minimum
Thermal Shock	MIL-STD-883, Method 1011, Condition A
Temperature Cycling	MIL-STD-883, Method 1010, Condition B
Constant Acceleration	MIL-STD-883, Method 2001, Condition A Y ₁ axis only (5000 G)
Seal (Fine and Gross Leak)	MIL-PRF-55310, Para. 4.8.2.2.2
Particle Impact Noise Detection (PIND)	MIL-STD-883, Method 2020, Condition A
Radiographic Inspection	MIL-STD-883, Method 2012, Class S
Electrical Tests: Record all measurements. Input Current Output Frequency Output Voltage Levels Output Rise & Fall Times Output Duty Cycle	Nominal Supply Voltage, Specified load, +23 °C MIL-PRF-55310, Para. 4.8.5 MIL-PRF-55310, Para. 4.8.6 MIL-PRF-55310, Para. 4.8.21.3 MIL-PRF-55310, Para. 4.8.22 MIL-PRF-55310, Para. 4.8.23
Burn-in (load)	+125 °C, Nominal Supply Voltage and Burn-in load, 320 Hours Minimum
Electrical Tests: Record all measurements. Input Current Output Frequency Output Voltage Levels Output Rise & Fall Times Output Duty Cycle	Nominal and Extreme Supply Voltages, Specified load, +23 °C and operating temperature extremes, MIL-PRF-55310, Para. 4.8.5 MIL-PRF-55310, Para. 4.8.6 MIL-PRF-55310, Para. 4.8.21.3 MIL-PRF-55310, Para. 4.8.22 MIL-PRF-55310, Para. 4.8.23

1/ Vacuum bake and maintain oscillators in dry nitrogen per MIL-PRF-55310.

Table III - Class B/M Screening (100%)

Test - Inspection	Test Method – Condition
Nondestructive Bond Pull	MIL-STD-883, Method 2023
Internal Visual	MIL-STD-883, Method 2017, Level B
Stabilization Bake (Prior to Seal) <u>1/</u>	MIL-STD-883, Method 1008, Condition C (+150 °C), 24 hours minimum
Temperature Cycling	MIL-STD-883, Method 1010, Condition B
Constant Acceleration	MIL-STD-883, Method 2001, Condition A Y ₁ axis only (5000 G)
Seal (Fine and Gross Leak)	MIL-PRF-55310, Para. 4.8.2.2.2
Particle Impact Noise Detection (PIND)	MIL-STD-883, Method 2020, Condition A
Electrical Tests: Input Current Output Frequency Output Voltage Levels Output Rise & Fall Times Output Duty Cycle	Nominal Supply Voltage, Specified load, +23 °C Verify all parameters MIL-PRF-55310, Para. 4.8.5 MIL-PRF-55310, Para. 4.8.6 MIL-PRF-55310, Para. 4.8.21.3 MIL-PRF-55310, Para. 4.8.22 MIL-PRF-55310, Para. 4.8.23
Burn-in (load)	+125 °C, Nominal Supply Voltage and Burn-in load, 160 Hours Minimum
Electrical Tests: Input Current Output Frequency Output Voltage Levels Output Rise & Fall Times Output Duty Cycle	Nominal Supply Voltage, Specified load, +23 °C and verify frequency at temperature extremes. MIL-PRF-55310, Para. 4.8.5 MIL-PRF-55310, Para. 4.8.6 MIL-PRF-55310, Para. 4.8.21.3 MIL-PRF-55310, Para. 4.8.22 MIL-PRF-55310, Para. 4.8.23

1/ Vacuum bake and maintain oscillators in dry nitrogen per MIL-PRF-55310.